

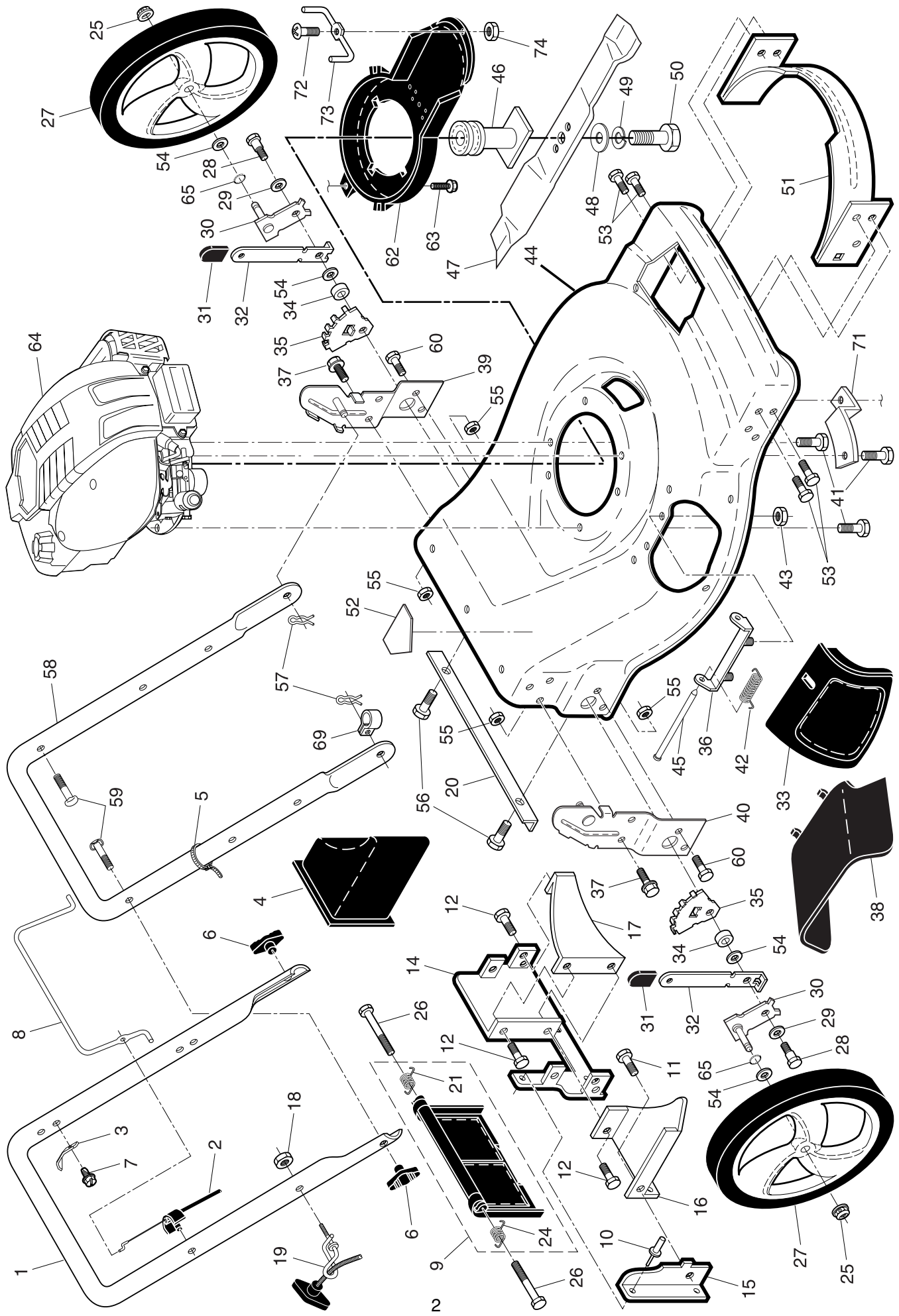
ILLUSTRATED PARTS LIST

MODEL NUMBER EDITION1XXL

PRODUCT NUMBER 961 41 01-27

MFG. ID. NUMBER 96141012700

ROTARY LAWN MOWER - MODEL NUMBER EDITION1XXL (96141012700) PRODUCT NUMBER 961 41 01-27



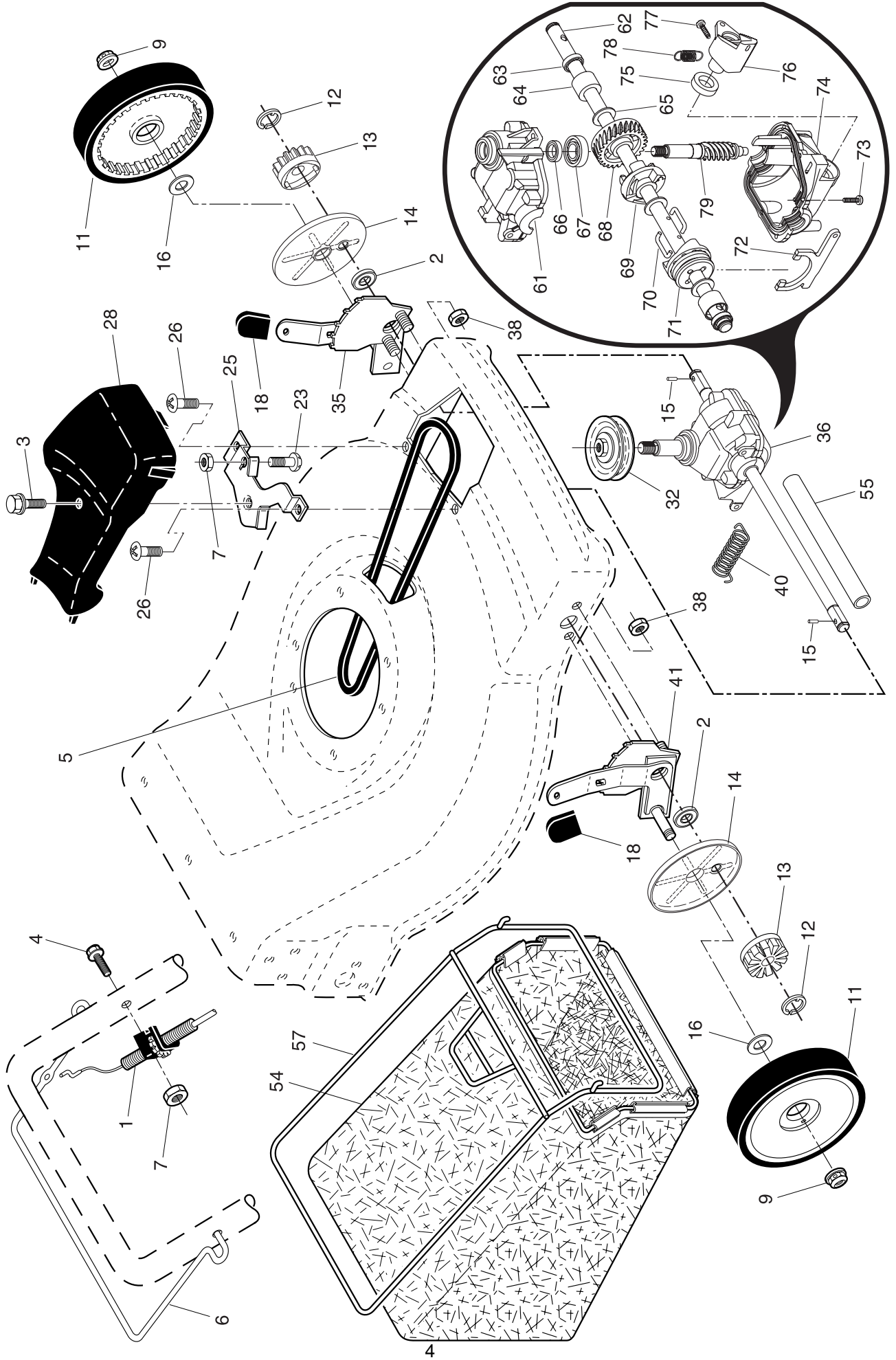
ROTARY LAWN MOWER - MODEL NUMBER EDITION1XXL (96141012700) PRODUCT NUMBER 961 41 01-27

KEY NO.	PART NO.	DESCRIPTION	KEY NO.	PART NO.	DESCRIPTION
1	532 19 84-59	Upper Handle	41	532 15 04-06	Screw, Hex Head, Threaded, Rolled 3/8-16 x 1-1/8
2	532 18 35-67	Engine Zone Control Cable	42	532 19 30-00	Spring, Torsion
3	532 12 51-62	Bracket, Upstop	43	873 80 04-00	Nut, Hex, Nylock
4	532 16 66-49	Mulcher Plug	44	532 40 21-62	Kit, Lawn Mower Housing (Includes Key Numbers 14, 15 and 51)
5	532 06 64-26	Wire Tie	45	532 17 56-50	Rod, Hinge
6	532 19 19-38	Handle Knob	46	532 19 40-37	Blade Adapter / Pulley
7	532 75 06-34	Screw	47	532 19 93-79	Blade, 22"
8	532 19 84-64	Control Bar	48	532 85 10-74	Washer, Hardened
9	532 19 36-79	Rear Door Assembly (Includes Springs)	49	532 85 02-63	Washer, Helical
10	532 12 84-15	Pop Rivet	50	532 85 10-84	Screw, Machine, Hex Head 3/8-24 x 1-3/8 Grade 8
11	532 15 00-50	Screw, Self-Tapping #10-24 x 5/8	51	532 17 04-91	Front Baffle
12	532 05 45-83	Screw, Hex Hex Head, Sems 1/4-20 x 1/2	52	532 18 21-66	Danger Decal
14	532 19 84-65	Back Plate	53	817 60 04-06	Screw
15	532 13 88-60	Side Baffle	54	532 08 83-48	Washer
16	532 17 71-33	Discharge Baffle	55	532 75 15-92	Locknut, Hex 3/8-16
17	532 14 89-41	Rear Baffle	56	532 14 66-94	Screw 1/4-20
18	532 13 20-04	Keps Locknut 1/4-20	57	532 05 17-93	Hairpin Cotter
19	532 19 47-88	Rope Guide	58	532 15 50-44	Lower Handle
20	532 14 76-25	Footguard	59	532 19 15-74	Handle Bolt
21	532 17 09-38	Spring, Rear Door, LH	60	874 76 06-12	Bolt
24	532 17 09-39	Spring, Rear Door, RH	61	532 75 15-92	Nut
25	532 14 52-12	Nut, Hex, Flanged	62	532 19 93 14	Debris Shield
26	532 18 41-93	Bolt, Rear Door	63	532 19 23-25	Screw, Debris Shield
27	532 40 30-72	Wheel & Tire Assembly, Rear	64	- - -	Engine, Briggs & Stratton, Model Number 128602 (Order parts from Engine manufacturer)
28	532 14 27-48	Bolt, Shoulder 3/8-16 x 1	65	532 19 74-80	O-Ring
29	532 06 16-51	Washer, Belleville	69	532 19 79-91	Clip, Cable
30	532 19 60-21	Axle Arm Assembly	71	532 19 09-39	Mounting Bracket, Debris Shield
31	532 19 00-69	Selector Knob	72	532 18 22-27	Screw, Machine #8
32	532 19 84-56	Selector Spring	73	532 19 71-62	Belt Keeper
33	532 19 60-53	Mulcher Door	74	532 18 22-28	Nut, Hex #8
34	532 14 66-30	Spacer	- -	532 18 21-91	Warning Decal (not shown)
35	532 15 50-47	Wheel Adjusting Bracket	- -	532 40 45-23	Operator's Manual, European
36	532 17 57-35	Hinge Bracket Assembly	- -	532 40 45-33	Operator's Manual, Scandinavian
37	532 15 00-78	Screw, Sems, Thread Cutting 5/16-18 x 3/4	- -	532 40 45-25	Operator's Manual, East Bloc
38	532 40 38-19	Discharge Deflector	- -	532 40 45-24	Operator's Manual, Baltic
39	532 19 71-50	Handle Bracket Assembly, LH			
40	532 19 71-51	Handle Bracket Assembly, RH			

NOTE: All component dimensions given in U.S. inches. 1 inch = 25.4 mm

IMPORTANT: Use only Original Equipment Manufacturer (O.E.M.) replacement parts. Failure to do so could be hazardous, damage your lawn mower and void your warranty.

ROTARY LAWN MOWER - MODEL NUMBER EDITION1XXL (96141012700) PRODUCT NUMBER 961 41 01-27



ROTARY LAWN MOWER - MODEL NUMBER EDITION1XXL (96141012700) PRODUCT NUMBER 961 41 01-27

KEY PART NO.	DESCRIPTION	KEY PART NO.	DESCRIPTION
1	Vari-Speed Drive Control Assembly	40	Spring
2	Bearing, Wheel Adjuster	41	Kit, Wheel Adjuster, RH (Includes Knob and Bearing)
3	Pan Head Tapping Screw #10-24 x 2-3/4	54	Grassbag Assembly
4	Screw	55	Driveshaft Cover
5	V-Belt	57	Frame, Grassbag
6	Bar, Control, Drive	61	Case, Upper
7	Nut, Hex	62	Shaft, Output
9	Locknut, Hex	63	Seal, Output Shaft
11	Wheel & Tire Assembly	64	Bushing
12	E-Ring	65	Washer
13	Pinion	66	Seal, Worm Shaft
14	Dust Cover	67	Bearing, Ball
15	Pawl, Drive	68	Gear, 27 Teeth
16	Washer, Flat 3/8	69	Fixed Dog Clutch
18	Selector Knob	70	Wireform
23	Screw	71	Movable Dog Clutch
25	Belt Guide Bracket	72	Fork
26	Screw	73	Screw, Case
28	Drive Cover	74	Case, Lower
32	Drive Pulley	75	Seal, Lever
35	Kit, Wheel Adjuster, LH (Includes Knob and Bearing)	76	Lever
36	Gear Case Assembly, Complete	77	Screw, Lever
38	Locknut, Hex 1/4-20	78	Spring
		79	Shaft, Worm

NOTE: All component dimensions given in U.S. inches. 1 inch = 25.4 mm

IMPORTANT: Use only Original Equipment Manufacturer (O.E.M.) replacement parts. Failure to do so could be hazardous, damage your lawn mower and void your warranty.